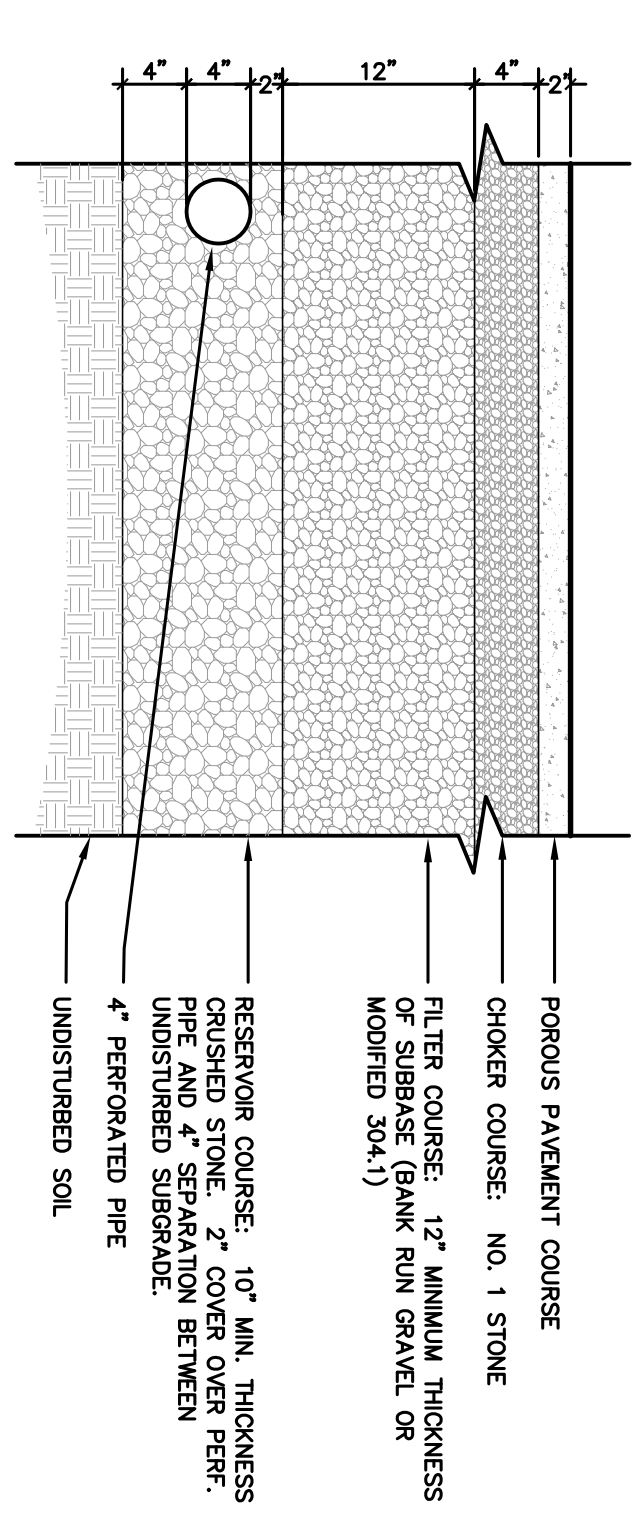
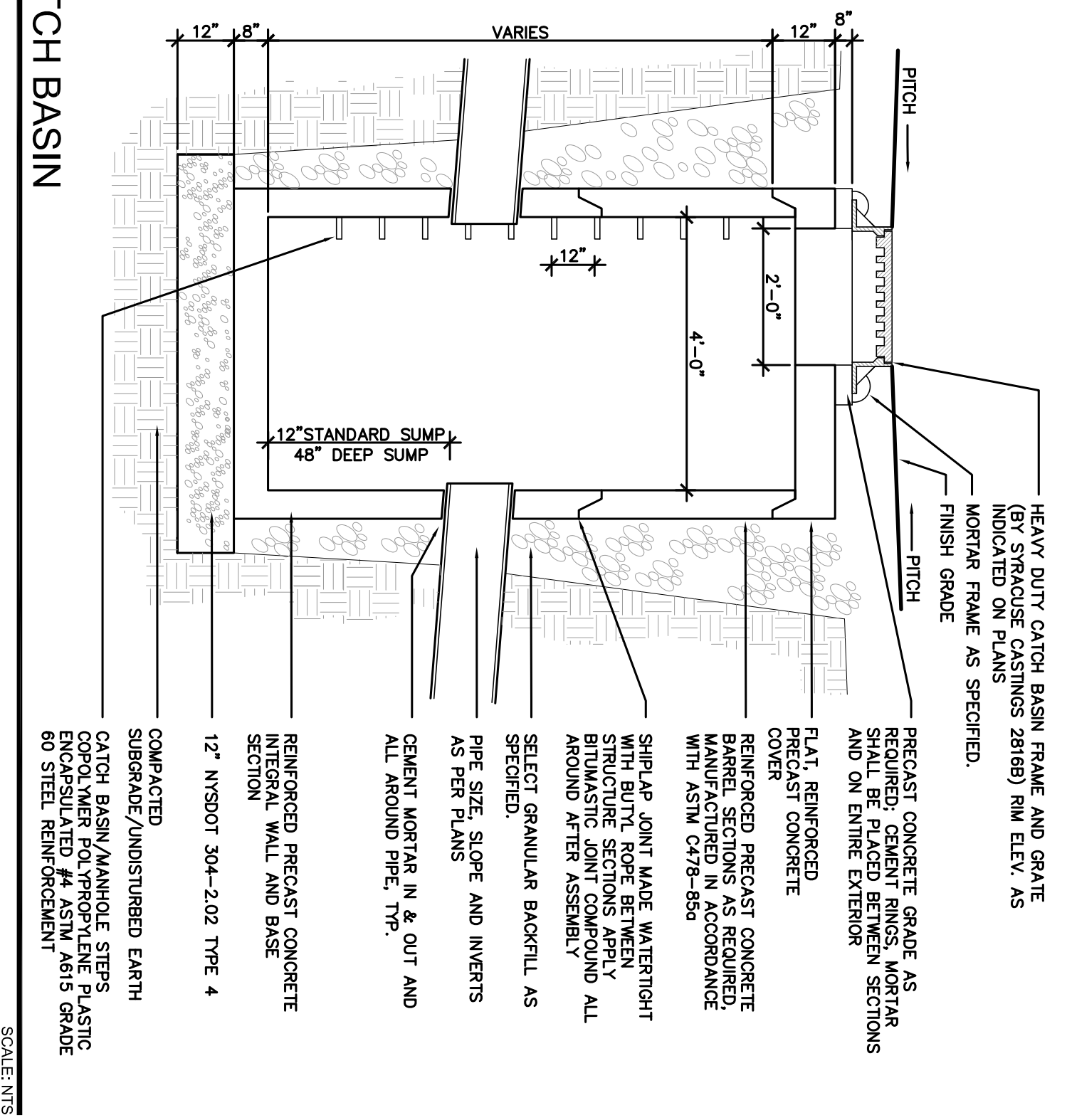


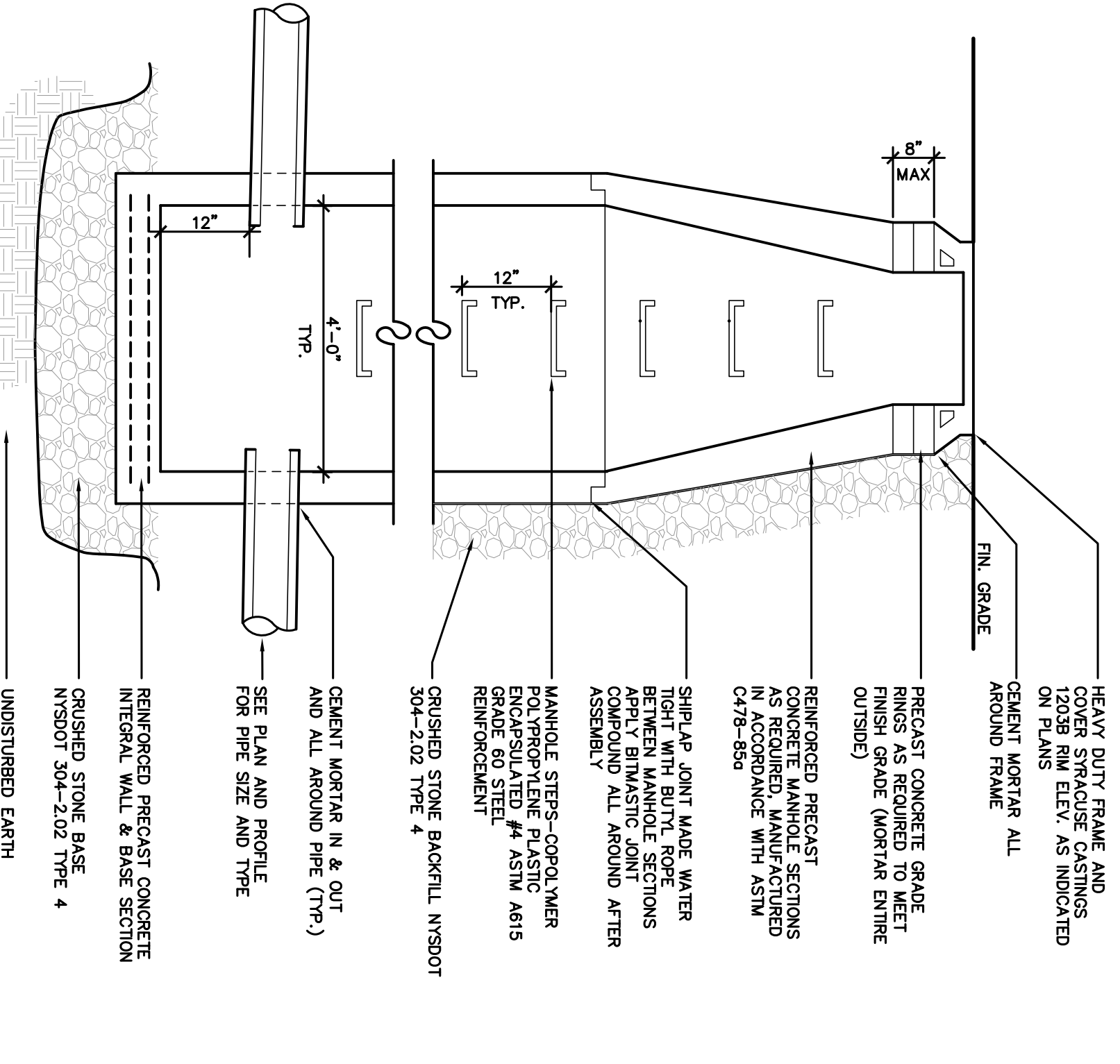
**1 GREEN ROOF**  
 SCALES: 1/8" = 1'-0"



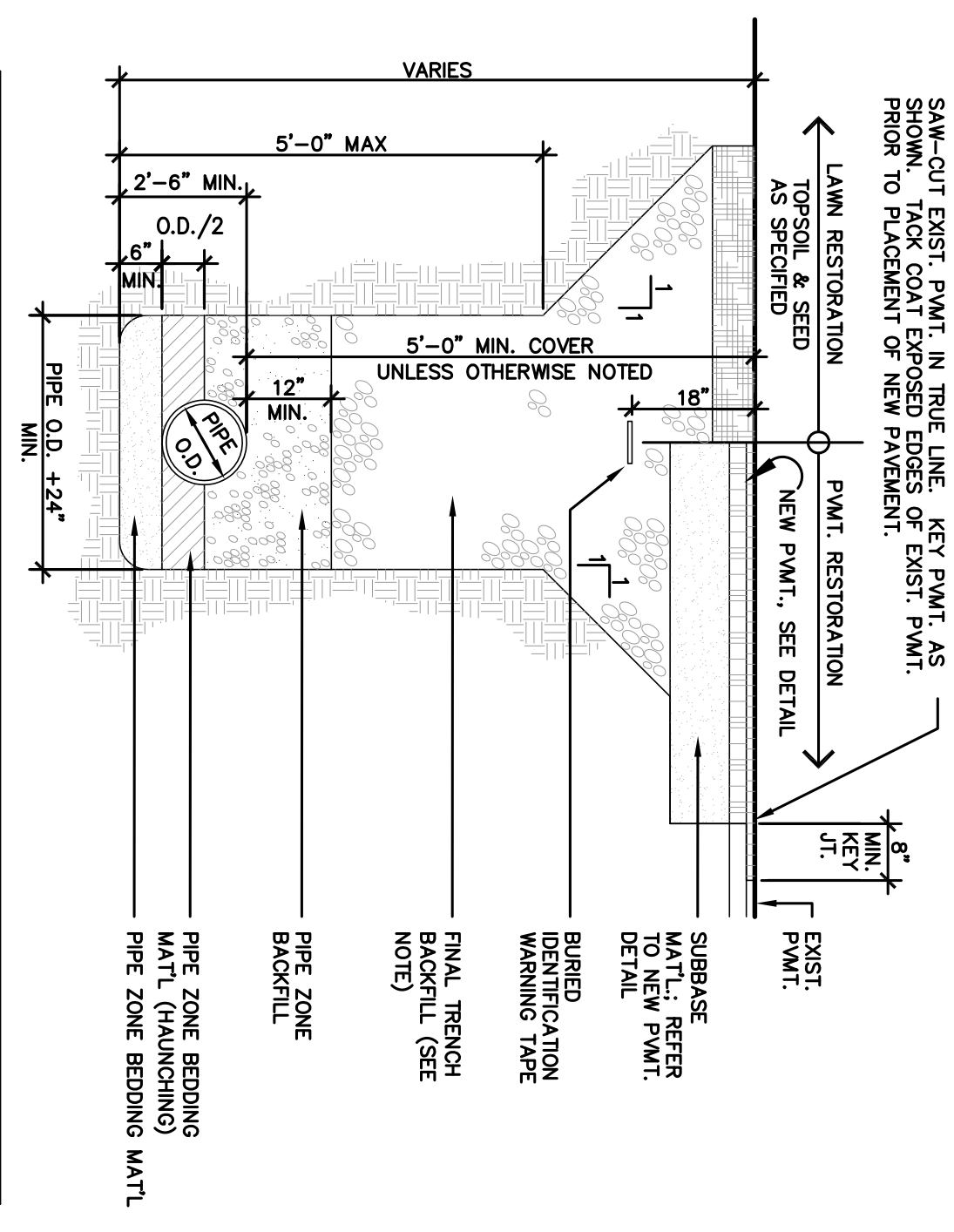
**2 POROUS PAVING**  
 SCALES: 1/8" = 1'-0"



**3 CATCH BASIN**  
 SCALES: 1/8" = 1'-0"

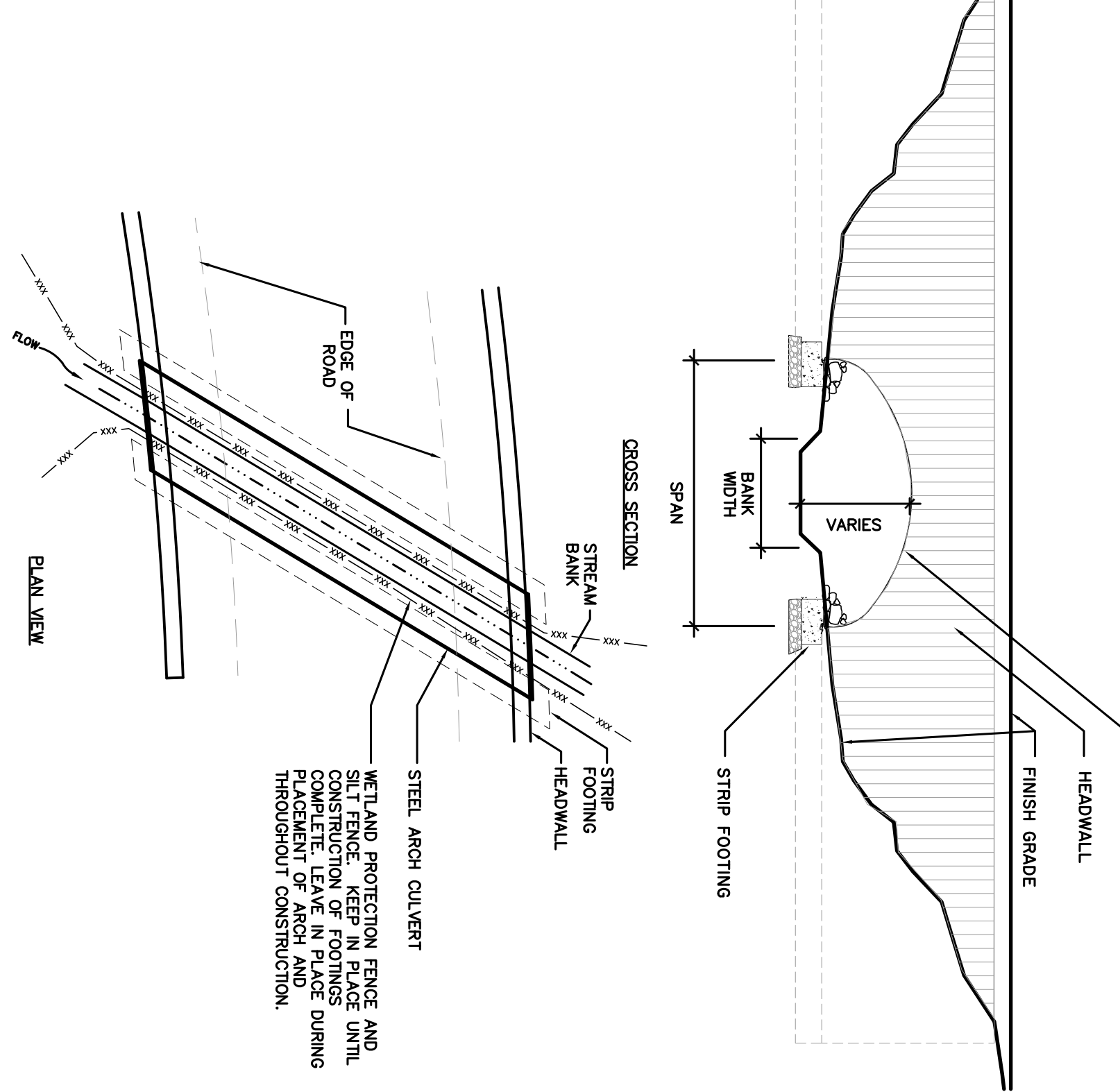


**4 STORMWATER MANHOLE**  
 SCALES: 1/8" = 1'-0"

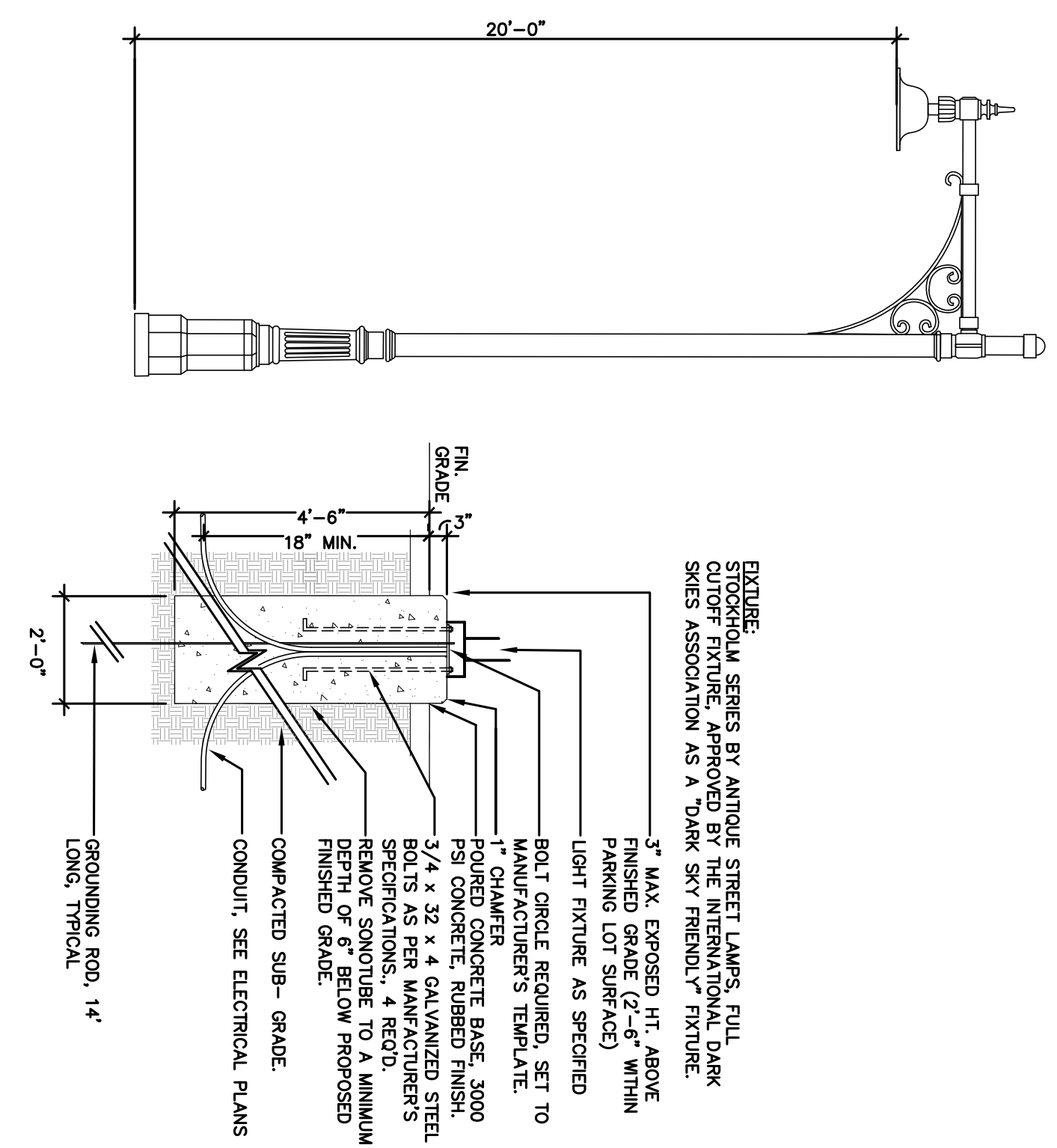


ITEM	DEPTH	MATERIAL	NOTES
PIPE ZONE BEDDING (ENCOUNTERED DRY CONC.)	6" MIN.	COARSE SAND OR GRAVEL	1A
PIPE ZONE BEDDING (ENCOUNTERED WET CONC.)	6" MIN.	COARSE SAND OR GRAVEL	1
PIPE ZONE BEDDING (ENCOUNTERED SAND)	6" O.D./2"	COARSE SAND OR GRAVEL	1A
PIPE ZONE BACKFILL (ENCOUNTERED SAND)	12" MIN.	COARSE SAND OR GRAVEL	1A OR 1
PIPE ZONE BACKFILL (ENCOUNTERED WET CONC.)	12" MIN.	COARSE SAND OR GRAVEL	1A OR 1
PIPE ZONE BACKFILL (ENCOUNTERED DRY CONC.)	12" MIN.	COARSE SAND OR GRAVEL	1A OR 1

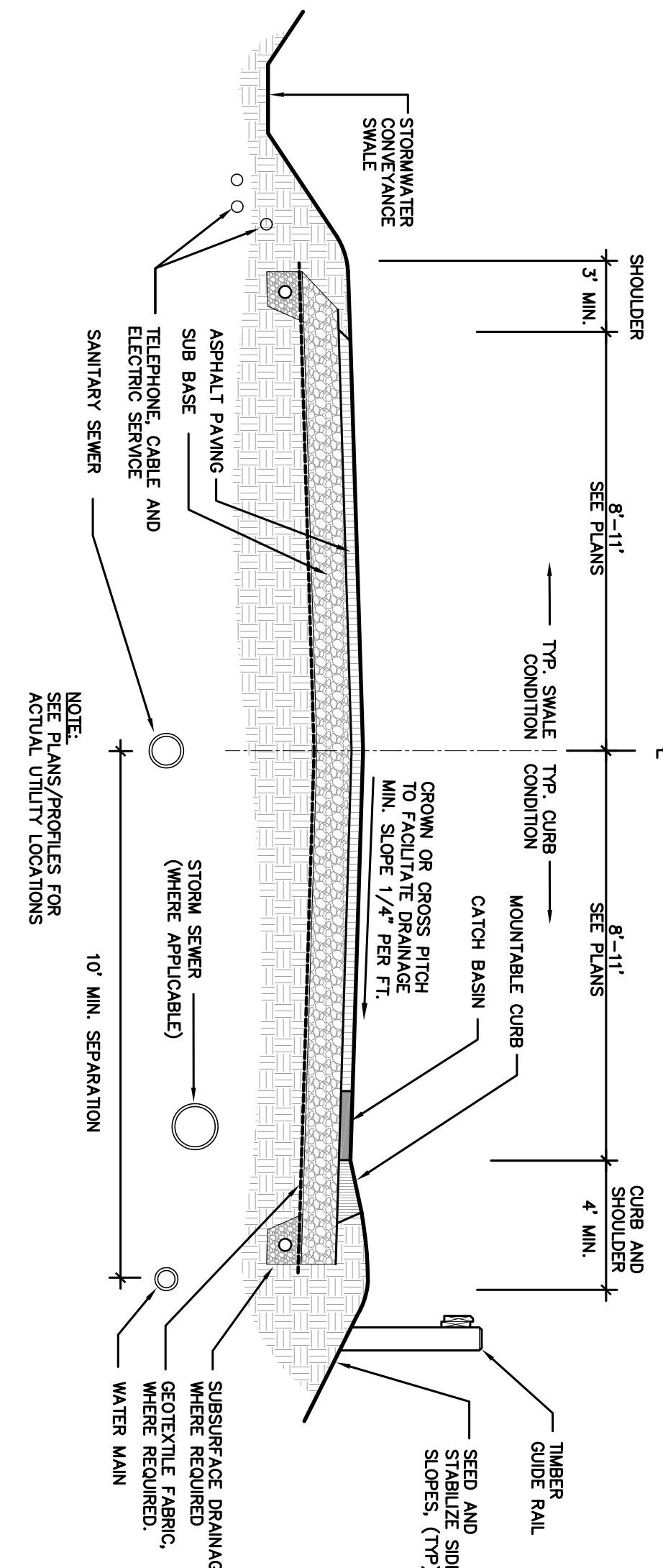
**5 STORMWATER PIPE TRENCH**  
 SCALES: 1/8" = 1'-0"



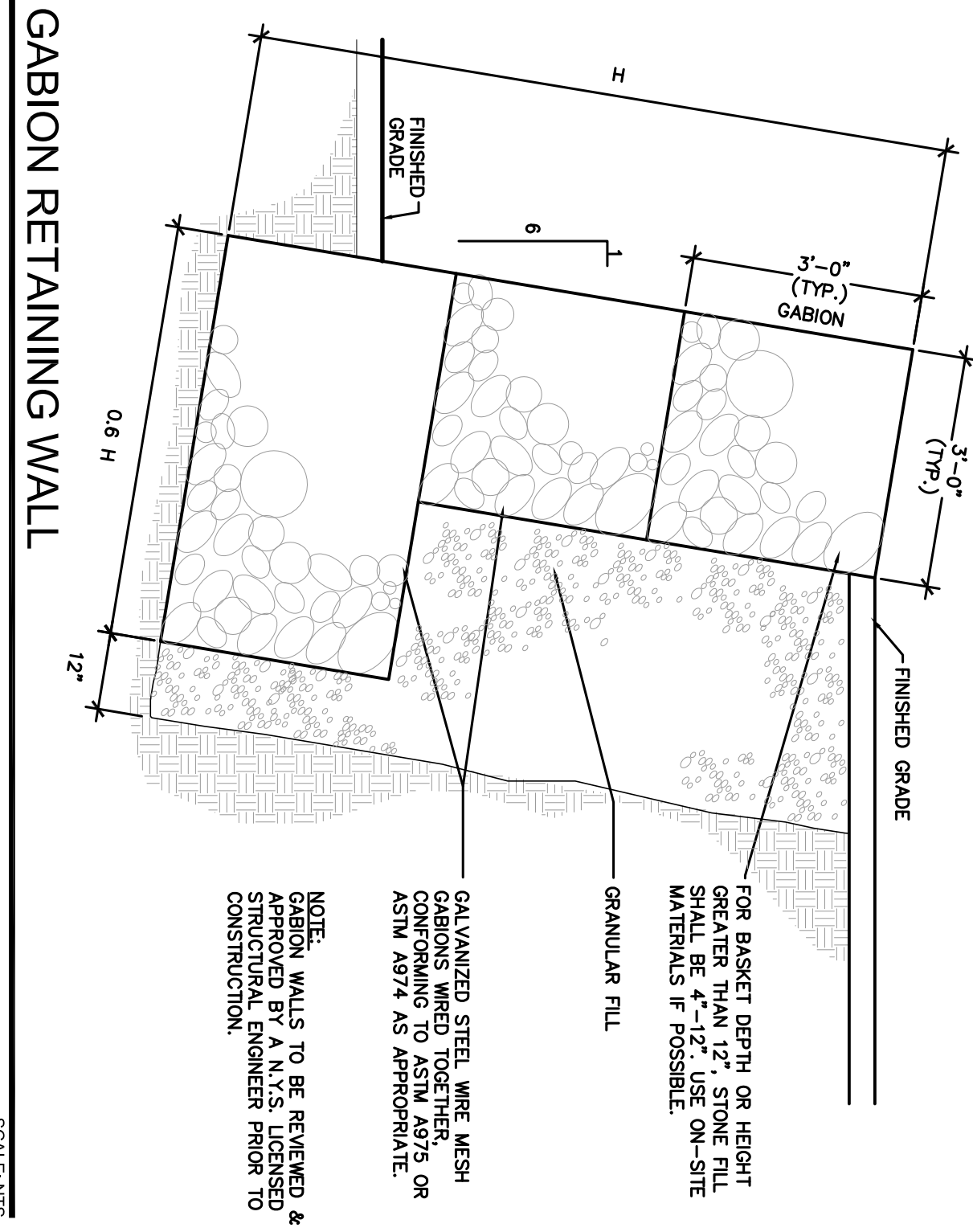
**6 ARCH CULVERT CROSSING**  
 SCALES: 1/8" = 1'-0"



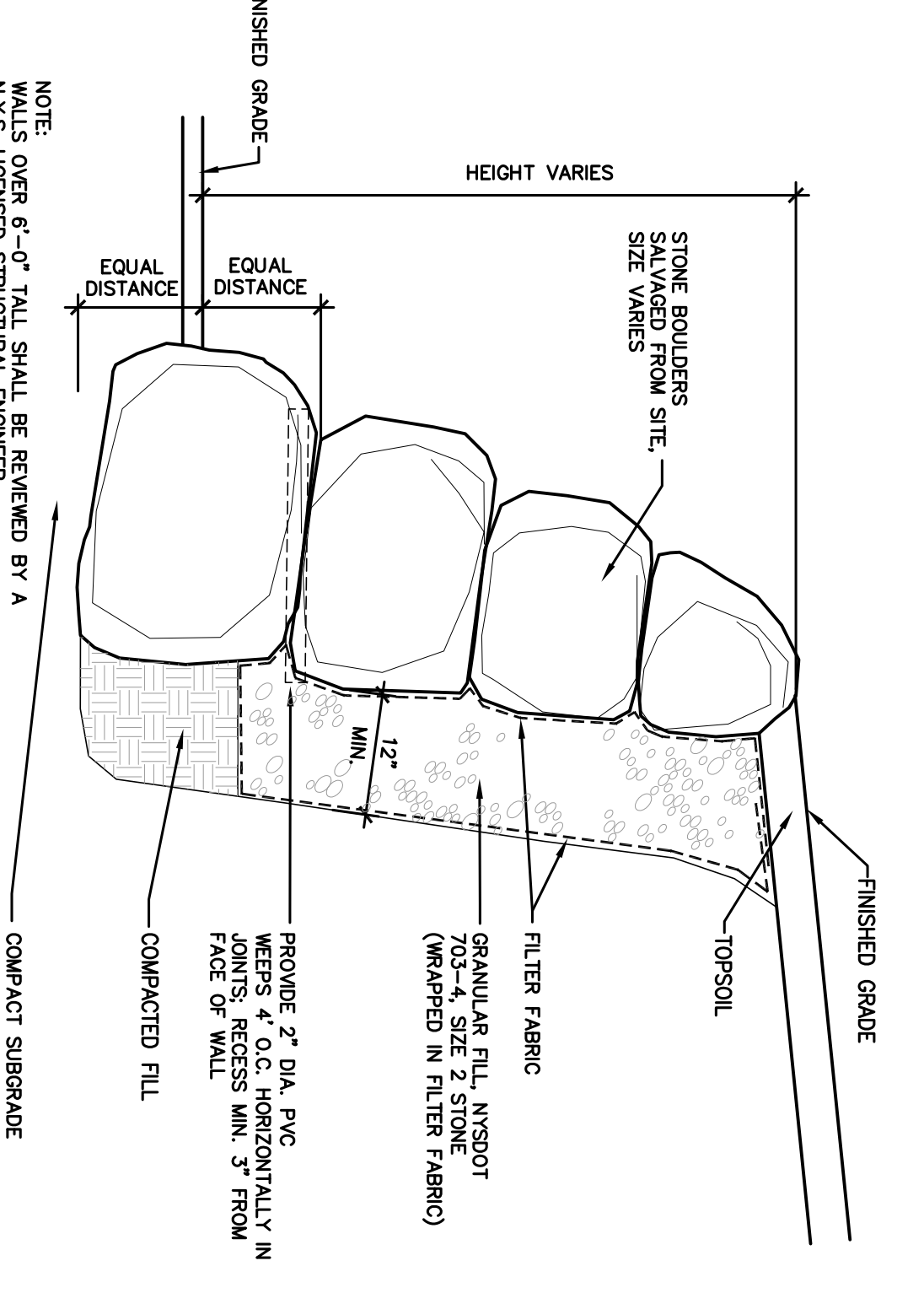
**7 SITE LIGHTING**  
 SCALES: 1/8" = 1'-0"



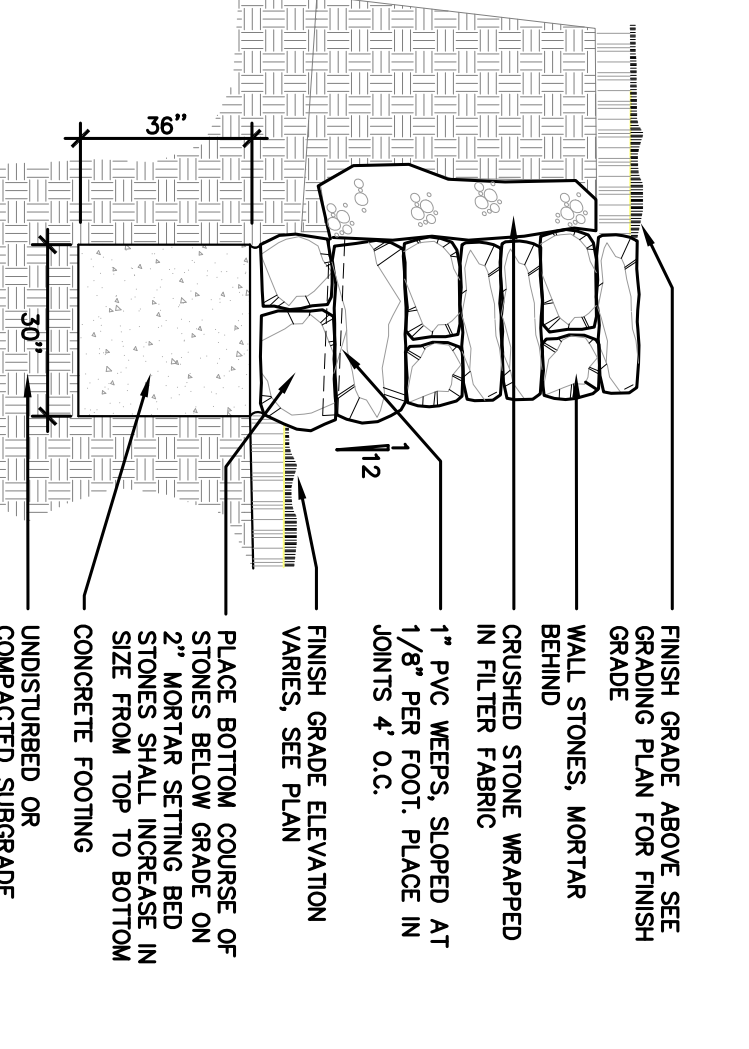
**8 TYPICAL ROADWAY**  
 SCALES: 1/8" = 1'-0"



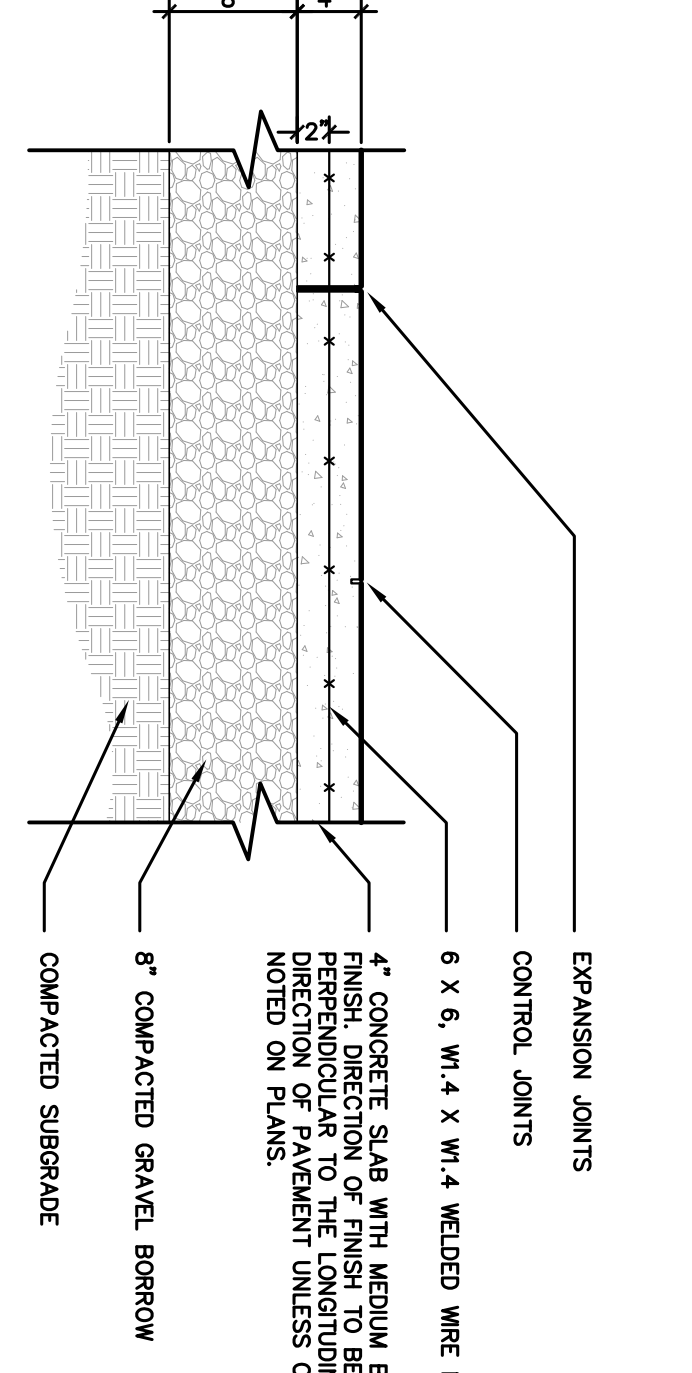
**9 GABION RETAINING WALL**  
 SCALES: 1/8" = 1'-0"



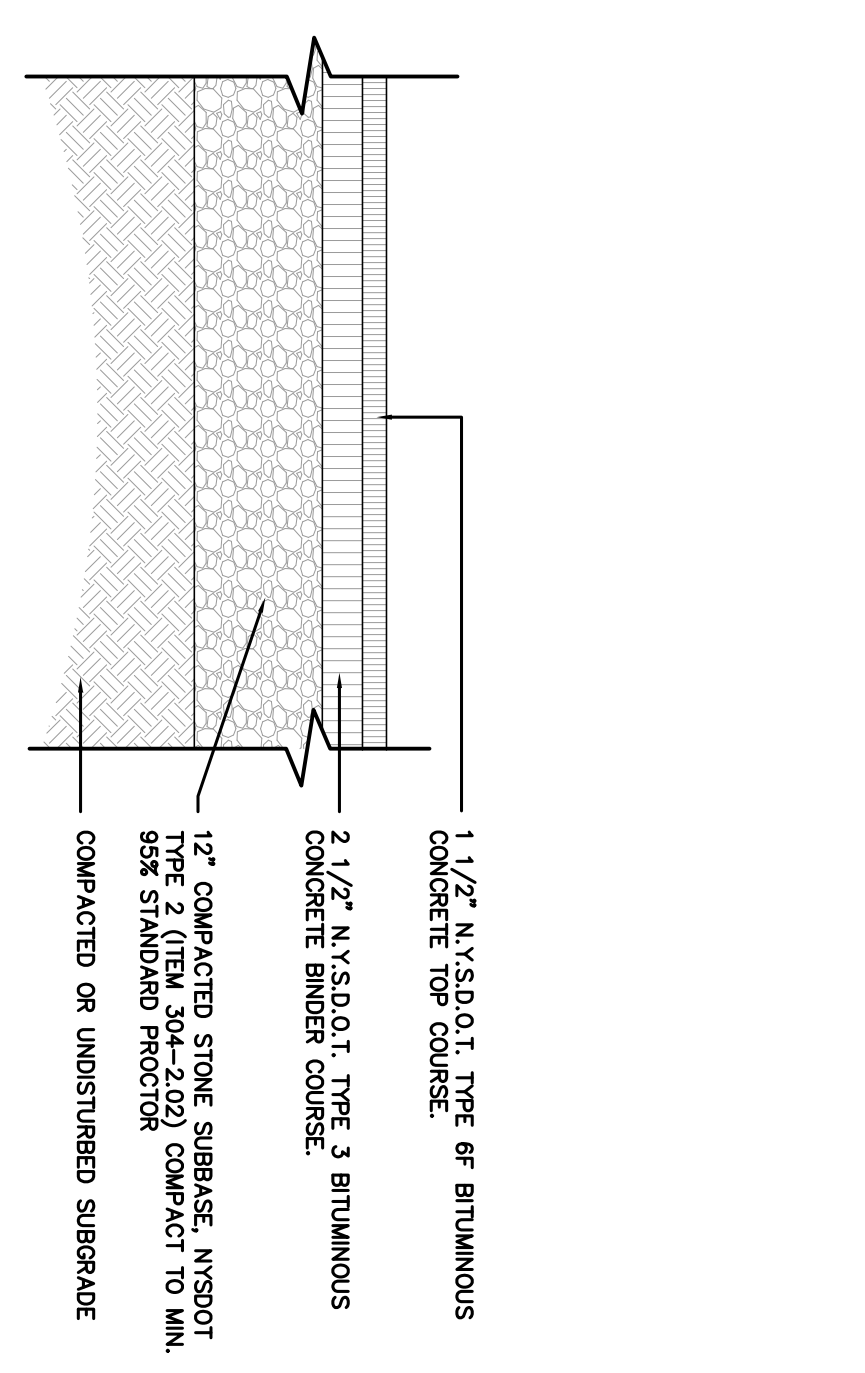
**10 BOULDER RETAINING WALL**  
 SCALES: 1/8" = 1'-0"



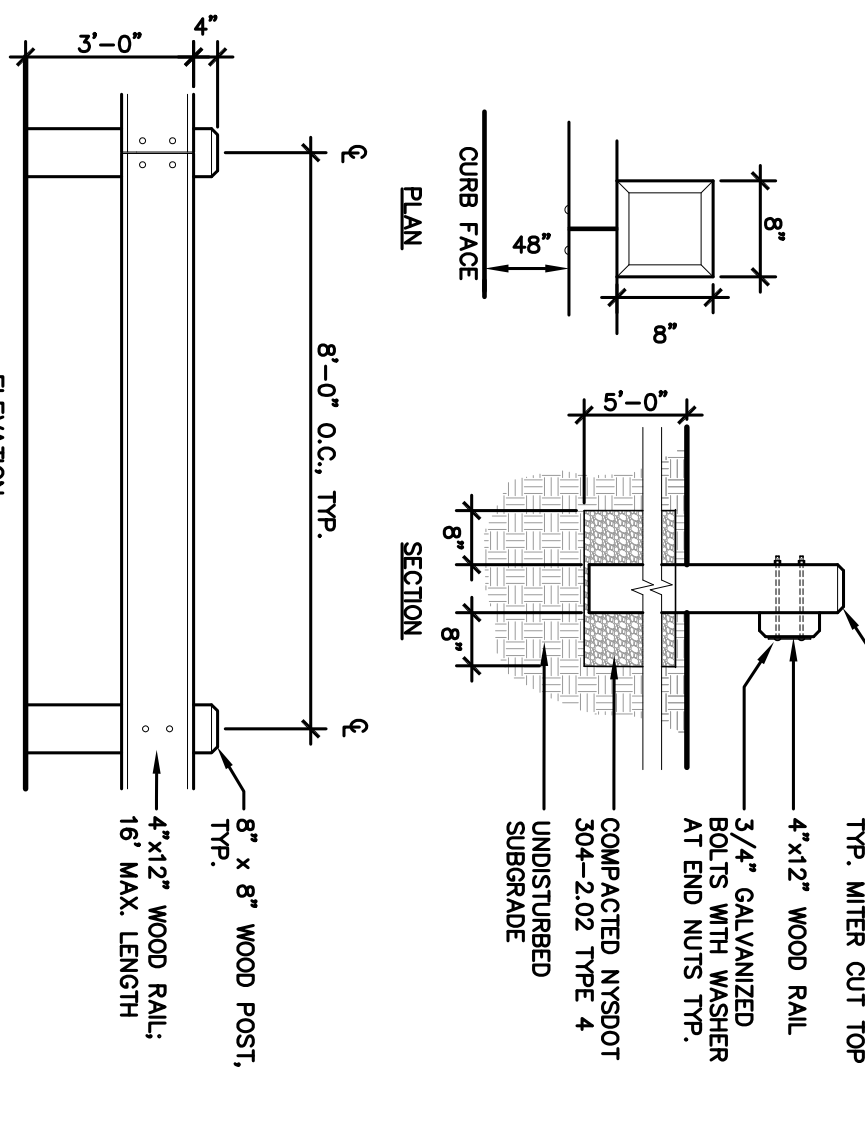
**11 FIELDSTONE RETAINING WALL**  
 SCALES: 1/8" = 1'-0"



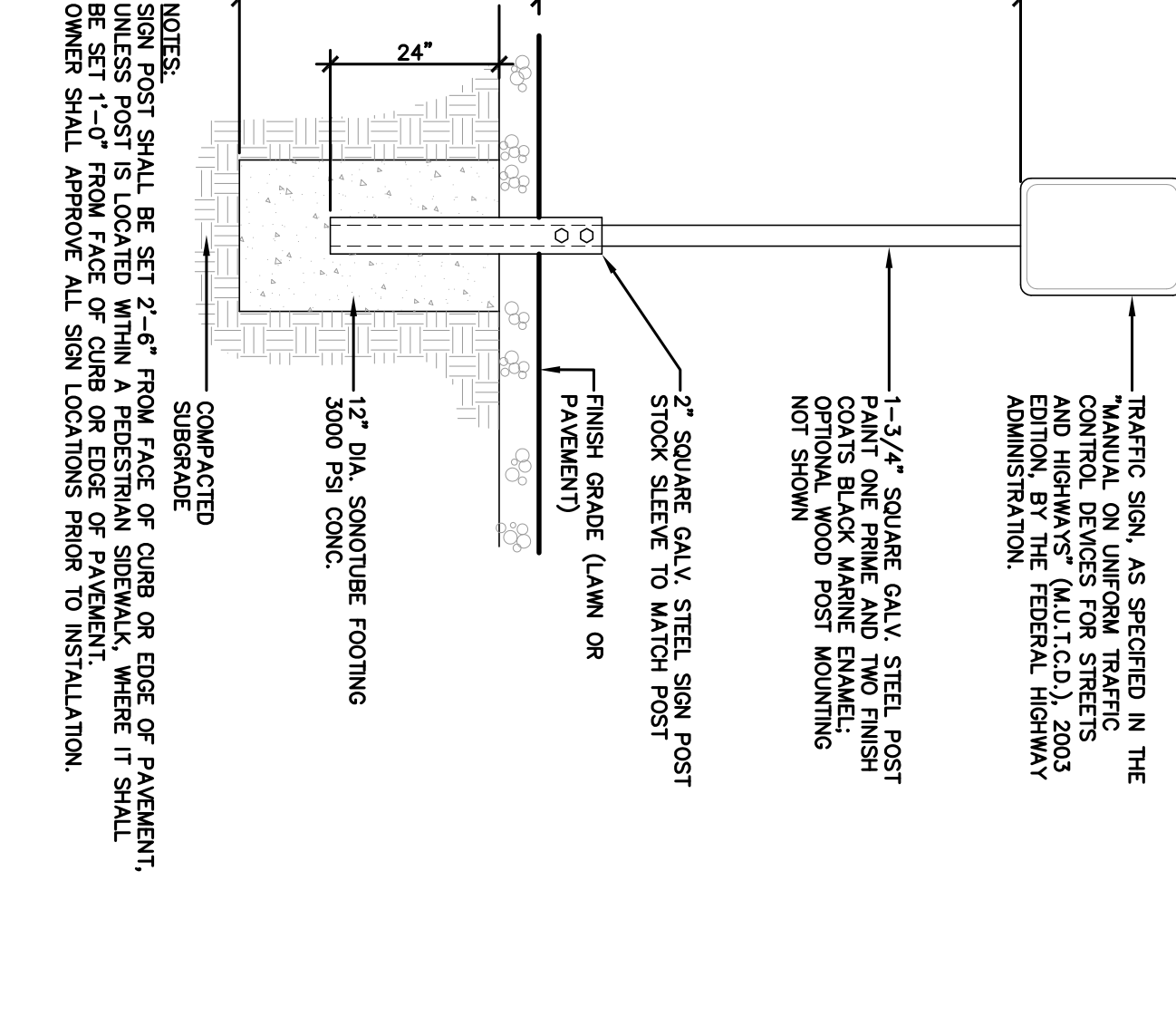
**12 CONCRETE PAVING**  
 SCALES: 1/8" = 1'-0"



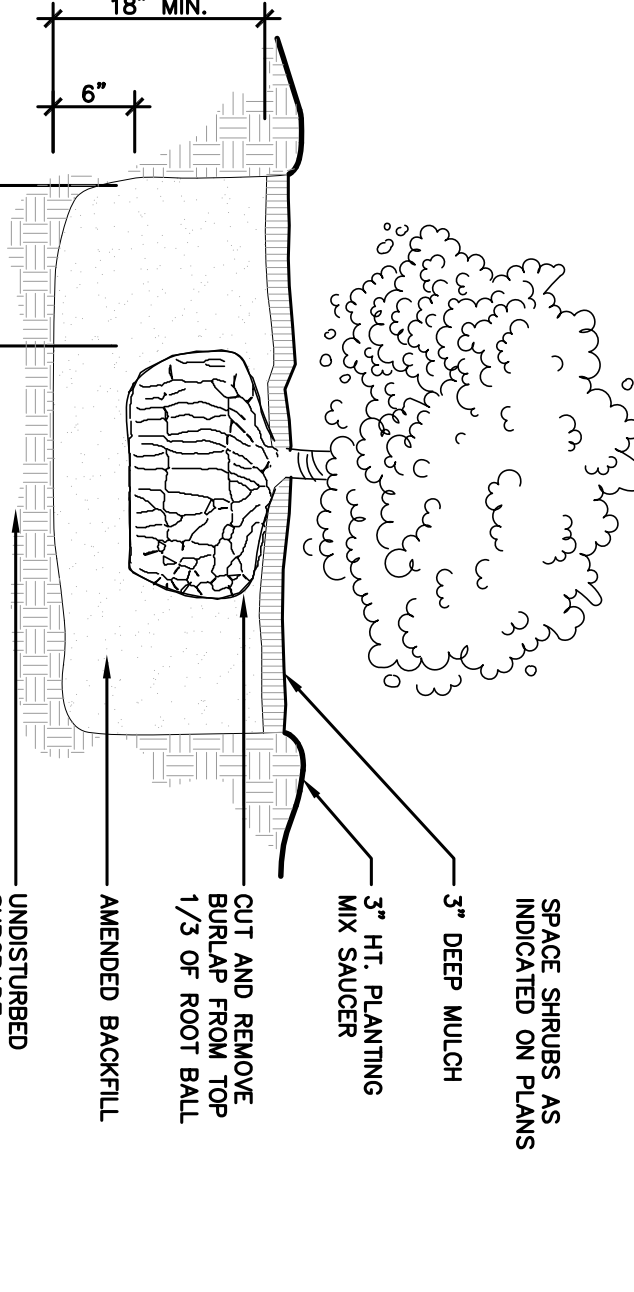
**13 BITUMINOUS CONCRETE PAVING**  
 SCALES: 1/8" = 1'-0"



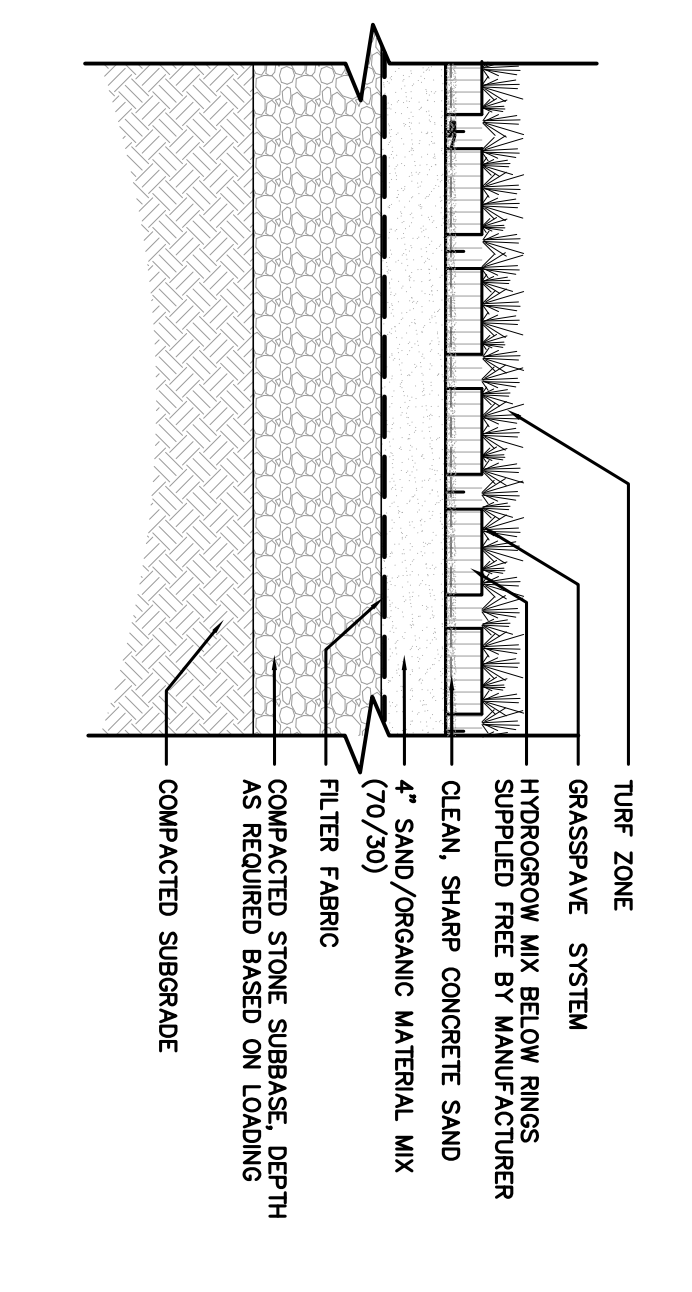
**14 GUIDRAIL**  
 SCALES: 1/8" = 1'-0"



**15 TYPICAL TRAFFIC SIGNAGE**  
 SCALES: 1/8" = 1'-0"



**16 SHRUB PLANTING**  
 SCALES: 1/8" = 1'-0"



**17 TURF FIRELANE**  
 SCALES: 1/8" = 1'-0"